

JA-150N Wireless power output module PG

The JA-150N is a wireless component of the **JABLOTRON 100** system. It provides an output power relay switch. It can be used for switching on/off the lights, ventilators, etc. The relay can be controlled with a programmable control panel (PG) output or according to the status of a section (set = relay on) or when there is an alarm in a chosen section (alarm = relay on). The device should be installed by a trained technician with a valid certificate issued by an authorised distributor.

Installation

The module can be installed into a JA-190PL mounting box. For proper module functioning, it is necessary to have a JA-110R radio module installed in the system.

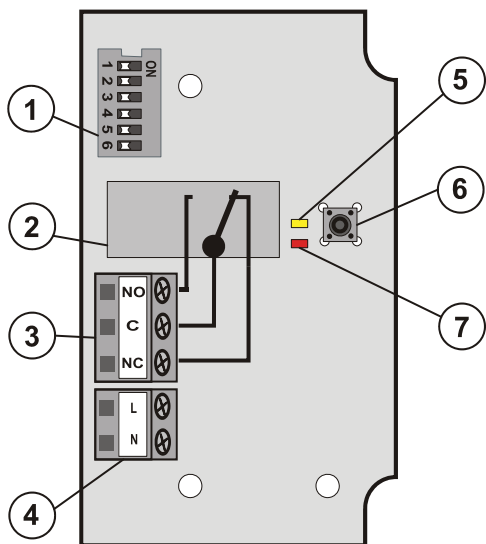


Figure: 1 – configuration DIP switch; 2 – output relay; 3 – relay terminals; 4 – main power terminals; 5 – yellow enrollment mode indicator; 6 – enrollment button; 7 – red relay switching indicator

- Use the switch(1) to set the required PG output or section to which the relay should react (see tables).
- Connect the main power cable to the mains terminals (4); turn the main power on.

Electrical devices can only be connected by an authorized technician.



The product is used for single pole switching of a single line and it does not provide safe disconnection of both mains lines.

- After starting up, the yellow LED (5) starts to light permanently. Briefly press the button (6) and the LED starts to blink and enrollment mode is opened. In the F-Link software go to **F-Link – Settings – Devices** and press the button called **Send enrollment signal**. The module will confirm enrolling by a 2 sec flash. If the module does not receive an enrollment code in 120 sec., enrollment mode is closed (LED lit) and it waits for enrollment mode to be opened again.
- Test the module's functioning. Relay switching is indicated by the red LED (7).
- Connect the device to be controlled to the relay terminals (3).

Notes:

- The module does not occupy any position in control panel.
- Only one control panel can be enrolled to the module.
- If you connect multiple modules with identical settings to the system, the relays will have the same function.
- The relay switches to standby mode when it loses AC or communication is lost for 2 hours. After AC restoration or communication restoration the module will switch to the requested mode in 8 sec.
- You can erase an enrolled control panel by pressing and holding the button (6) for 6 sec. Erasing is confirmed by 6x quick flashes of the LED (5). Then the LED starts flashing and the module opens enrollment mode.

- The setting of individual programmable outputs is done in the PG outputs tab in the F-Link software. A detailed description of the settings is available in the control panel installation manual.
- When the output is set according to the SECTION SET table the relay is on if the section is fully set.
- When the output is set according to the SECTION ALARM table the relay is on if there is an external or internal warning (EW or IW).

ON 1 2 3 4 5 6	PG 1	ON 1 2 3 4 5 6	PG 9	ON 1 2 3 4 5 6	PG 17	ON 1 2 3 4 5 6	PG 25
ON 1 2 3 4 5 6	PG 2	ON 1 2 3 4 5 6	PG 10	ON 1 2 3 4 5 6	PG 18	ON 1 2 3 4 5 6	PG 26
ON 1 2 3 4 5 6	PG 3	ON 1 2 3 4 5 6	PG 11	ON 1 2 3 4 5 6	PG 19	ON 1 2 3 4 5 6	PG 27
ON 1 2 3 4 5 6	PG 4	ON 1 2 3 4 5 6	PG 12	ON 1 2 3 4 5 6	PG 20	ON 1 2 3 4 5 6	PG 28
ON 1 2 3 4 5 6	PG 5	ON 1 2 3 4 5 6	PG 13	ON 1 2 3 4 5 6	PG 21	ON 1 2 3 4 5 6	PG 29
ON 1 2 3 4 5 6	PG 6	ON 1 2 3 4 5 6	PG 14	ON 1 2 3 4 5 6	PG 22	ON 1 2 3 4 5 6	PG 30
ON 1 2 3 4 5 6	PG 7	ON 1 2 3 4 5 6	PG 15	ON 1 2 3 4 5 6	PG 23	ON 1 2 3 4 5 6	PG 31
ON 1 2 3 4 5 6	PG 8	ON 1 2 3 4 5 6	PG 16	ON 1 2 3 4 5 6	PG 24	ON 1 2 3 4 5 6	PG 32

table 1: The relay reacts to the PG output state.

ON 1 2 3 4 5 6	SC 1	ON 1 2 3 4 5 6	SC 9	ON 1 2 3 4 5 6	AL 1	ON 1 2 3 4 5 6	AL 9
ON 1 2 3 4 5 6	SC 2	ON 1 2 3 4 5 6	SC 10	ON 1 2 3 4 5 6	AL 2	ON 1 2 3 4 5 6	AL 10
ON 1 2 3 4 5 6	SC 3	ON 1 2 3 4 5 6	SC 11	ON 1 2 3 4 5 6	AL 3	ON 1 2 3 4 5 6	AL 11
ON 1 2 3 4 5 6	SC 4	ON 1 2 3 4 5 6	SC 12	ON 1 2 3 4 5 6	AL 4	ON 1 2 3 4 5 6	AL 12
ON 1 2 3 4 5 6	SC 5	ON 1 2 3 4 5 6	SC 13	ON 1 2 3 4 5 6	AL 5	ON 1 2 3 4 5 6	AL 13
ON 1 2 3 4 5 6	SC 6	ON 1 2 3 4 5 6	SC 14	ON 1 2 3 4 5 6	AL 6	ON 1 2 3 4 5 6	AL 14
ON 1 2 3 4 5 6	SC 7	ON 1 2 3 4 5 6	SC 15	ON 1 2 3 4 5 6	AL 7	ON 1 2 3 4 5 6	AL 15
ON 1 2 3 4 5 6	SC 8	SECTION: SET		ON 1 2 3 4 5 6	AL 8	SECTION: ALARM	

table 2: The relay reacts to setting the selected section

table 3: The relay reacts to an alarm in the selected section

Technical specifications

Power supply; power consumption	230 V/50 Hz; 1.5W
Communication band	868.1 MHz
Relay contact loadability (3) – safety class II:	
Maximum acceptable relay voltage	250 V AC
Resistive load (cosφ=1)	max. 16A
Inductive (capacitive) load (cosφ=0.4)	max. 8A
Halogen lighting	max. 1000 W
Minimum acceptable relay throughput DC	0.5 W
Wire diameter:	max. 2 x 1.5mm ² ; max. 1 x 2.5 mm ²
Dimensions	82 x 50 x 19mm
Operational environment to EN 50131-1	Indoor general
Operating temperature range	-10 to + 40°C
Also complies with	ETSI EN 300220, EN 50130-4, EN 55022, EN 60950-1



JABLOTRON ALARMS a.s. hereby declares that the JA-150N is in compliance with the essential requirements and other relevant provisions of Directive 1999/5/EC. The original of the conformity assessment can be found at www.jablotron.com - Technical Support section



Note: Although this product does not contain any harmful materials we suggest you return the product to the dealer or directly to the producer after use. For more detailed information visit www.jablotron.com.